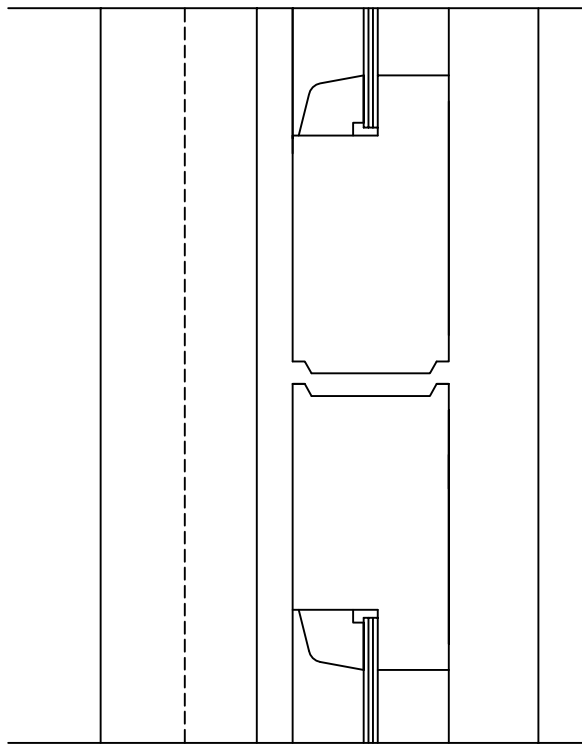


Ⓒ INTERLOCK



Ⓕ MEETING



SINGLE SLIDING / BI-PARTING WINDOWS

M.J.N. McNAUGHTON LTD

PO Box 27 061, Mt. Roskill, New Zealand  
Email: mjnmcnaughton@xtra.co.nz

T: +64.9.620.9059  
F: +64.9.620.7585

INTERLOCK  
MEETING

Scale: 1/2"=1"

Date:  
05/20/05

Page:  
WS01B